

# TRASH BOX FRONT LOAD



## SPECIFICATIONS

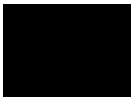
Available in both Slant and Flat Roof Design

<b>FLOOR SHEET</b>	10 GAUGE
<b>SIDE SHEET</b>	12 GAUGE
<b>BUMPERS</b>	7 GAUGE
<b>FORK POCKETS</b>	FORMED 7 GAUGE 18" FROM BOTTOM
<b>FORK POCKET GUIDES</b>	FORMED 7 GAUGE
<b>TOP RAILS</b>	FORMED 12 GAUGE
<b>BOTTOM CHANNELS</b>	FORMED 7 GAUGE (SKIDS)
<b>DRAIN PLUG</b>	3/4"
<b>LIDS</b>	PLASTIC <i>(DIMENSIONS VARY BASED ON YARDAGE)</i>
<b>HINGE ROD</b>	1/2" GALVANIZED AND THREADED ROUND BAR
<b>PAINT</b>	INTERIOR/EXTERIOR PRIMER EXTERIOR TOP COAT <i>(COMPLETE PAINT OPTION AVAILABLE)</i>



### STANDARD PAINT COLORS

BLACK



BUCKS® RED



MACK GREEN



VALVOLINE BLUE



K BROWN



*Custom colors may result in increased cost and lead times.*

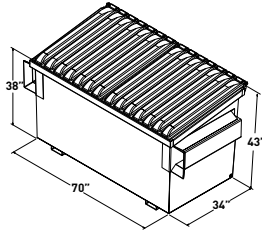


# CONTAINER DRAWINGS

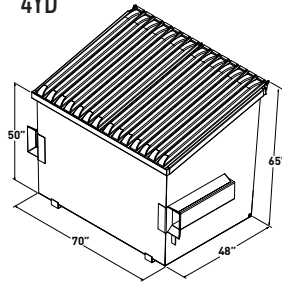
Containers can be manufactured to customer specified dimensions and may result in increased costs and lead times.

## SLANT ROOF

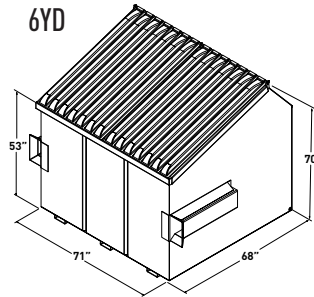
2YD



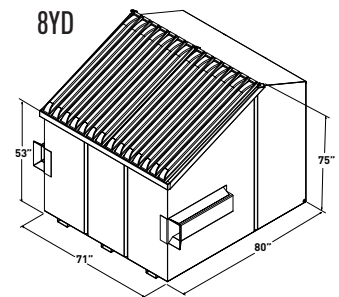
4YD



6YD

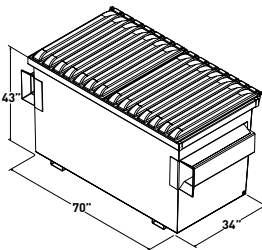


8YD

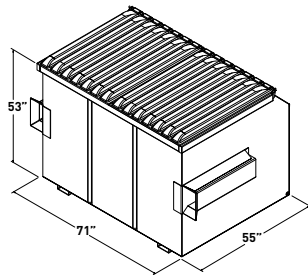


## FLAT ROOF

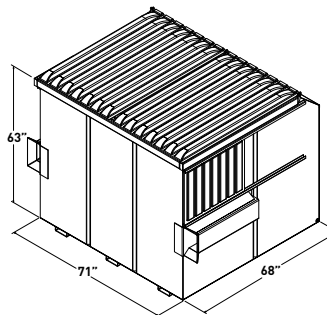
2YD



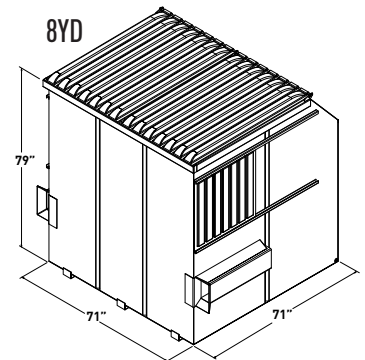
4YD



6YD



8YD



## SIDE DOOR

# STANDARD DIMENSIONS

<u>Yardage</u>	<u>Load Height</u>	<u>Dimensions (LxWxH)</u>	<u>Lid Size</u>	<u>Weight</u>	<u>Truck Load (48'/53')*</u>
2YD SL	38"	70" x 34" x 43"	36" x 41"	540lbs	49/57
2YD FL	43"	70" x 34" x 43"	36" x 41"	556lbs	49/57
4YD SL	50"	70" x 48" x 65"	36" x 58"	770lbs	12/14
4YD FL	53"	71" x 55" x 53"	36" x 48"	763lbs	17/20
6YD SL	53"	71" x 68" x 70"	36" x 58"	972lbs	7/8
6YD SD	63"	71" x 68" x 63"	36" x 58"	974lbs	7/8
8YD SL	34"	71" x 80" x 75"	36" x 58"	1,126lbs	7/8
8YD SD	43"	71" x 71" x 79"	36" x 58"	1,128lbs	7/8

\*Truckloads vary based on different truck and deck styles. Truckloads are subject to change.